

# ARTICLE CARD

HJORT  
KNUDSEN  
DANISH DESIGN

MODEL:6210



Measurements	W H D Table	W H D Table	W H D Table	W H D Table	W H D Table	W H D Table	W H D Table	W H D Table	W H D Table
	[cm]	[cm]	[cm]	[cm]	[cm]	[cm]	[cm]	[cm]	[cm]
Description	160 76 110/94	180 76 110/94	200 76 110/94	220 76 110/94	240 76 110/94	280 76 110/94	260 76 110/94	300 76 110/94	50 76 110/94
Item type	S80B	S81B	S70B	S71B	S72B	S74B	S73B	S75B	T15 / T15B
Weight	52 kg	59 kg	66 kg	73 kg	80 kg	93 kg	86 kg	100 kg	14 kg

## Materials:

### Top board:

Oak wood thickness - 40 mm

Parts of top boards - 2

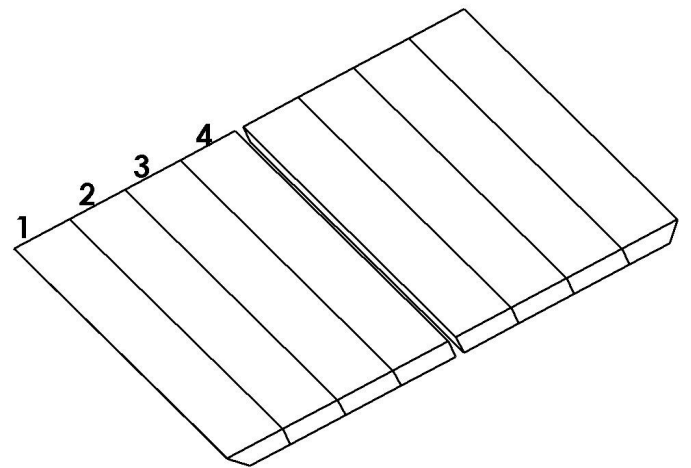
Distance between top boards - 8 mm

One top board made from 4 glued elements

Top board is brushed

Oiled top boards is finished with wax

Tolerance for all elements  $\pm 2$  mm

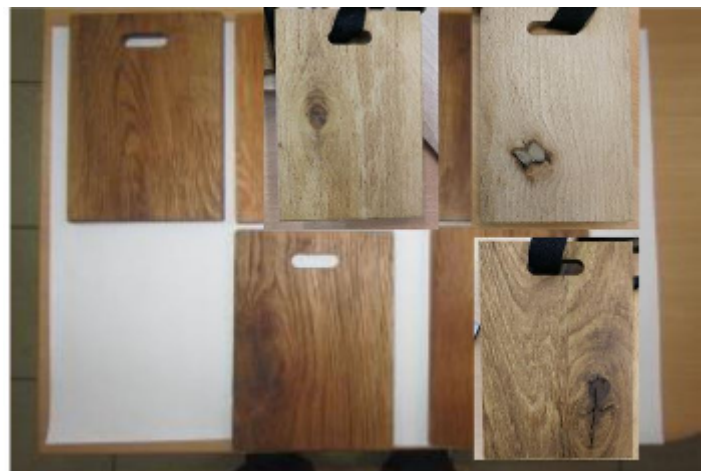


No knots  
and cracks

Small knots  
and cracks

Big knots  
and cracks

Table made from nature wood with knots and cracks.  
Can't have holes and shards on the edge



**MODEL:6210**

**HJORT  
KNUDSEN**  
DANISH DESIGN



**Materials:**

Extension:

Oak / MDF wood thickness - 40 mm

Extension it's made from small glue elements

same direction as top board

Top board is brushed

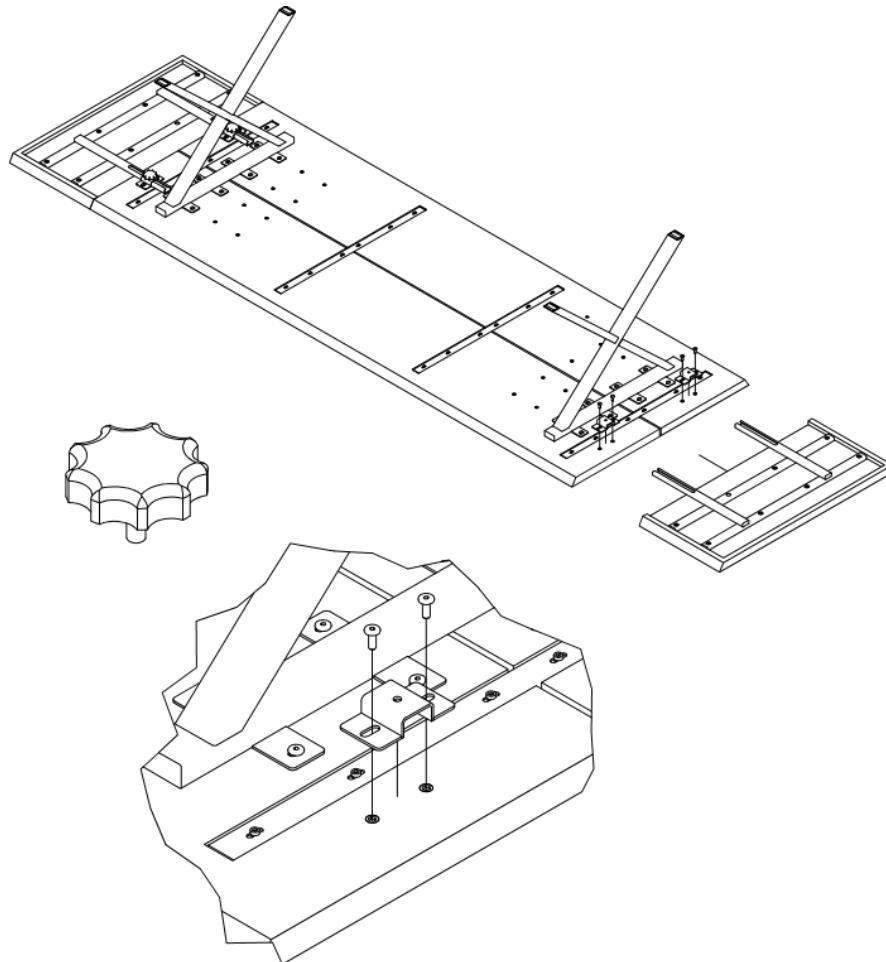
Oiled top boards is finished of wax (only wooden)

Parts - 1

Tolerance for all elements  $\pm 2$  mm



**Connect extension with table:**



**MODEL:6210**

Legs:

**HJORT  
KNUDSEN**  
DANISH DESIGN

**BST01**



steel profil W | H | D - 6 x 72 x 3 cm  
weight (one legs) - 8kg netto

**BST02**



steel profil W | H | D - 10 x 72 x 2 cm  
weight (one legs) - 7,5kg netto

**BST04**



steel profil W | H | D - 6 x 72 x 3 cm  
weight (one legs) - 8,5kg netto