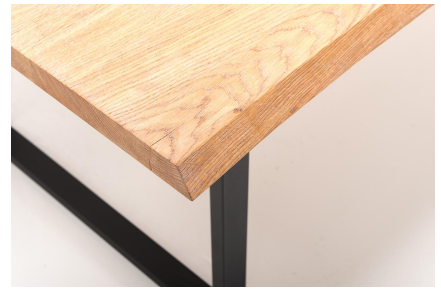


ARTICLE CARD

HJORT
KNUDSEN
DANISH DESIGN

MODEL:6211



Measurements	W H D Table	W H D Table	W H D Table	W H D Table	W H D Table	W H D Table	W H D Table	W H D Table	W H D Table
	[cm]	[cm]	[cm]	[cm]	[cm]	[cm]	[cm]	[cm]	[cm]
Description	160 76 110/94	180 76 110/94	200 76 110/94	220 76 110/94	240 76 110/94	280 76 110/94	260 76 110/94	300 76 110/94	50 76 110/94
Item type	S80B	S81B	S70B	S71B	S72B	S74B	S73B	S75B	T15 / T15B
Weight	52 kg	59 kg	66 kg	73 kg	80 kg	93 kg	86 kg	100 kg	14 kg

Materials:

Top board:

Oak wood thickness - 40 mm

Parts of top boards - 2

Distance between top boards - 8 mm

One top board made from 4 glued elements

Top board is brushed

Oiled top boards is finished with wax

Tolerance for all elements ±2 mm

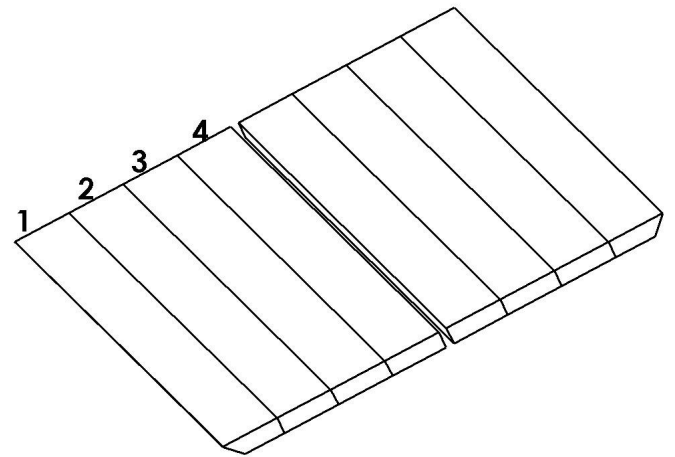
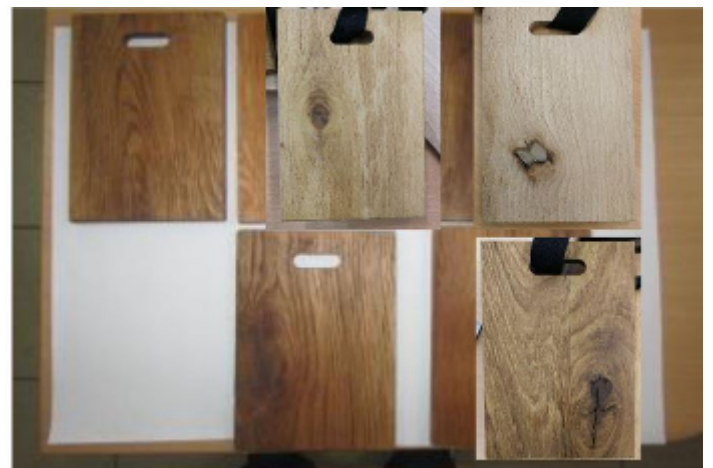


Table made from nature wood with knots and cracks.
Can't have holes and shards on the edge

No knots
and cracks

Small knots
and cracks

Big knots
and cracks



MODEL:6211

**HJORT
KNUDSEN**
DANISH DESIGN

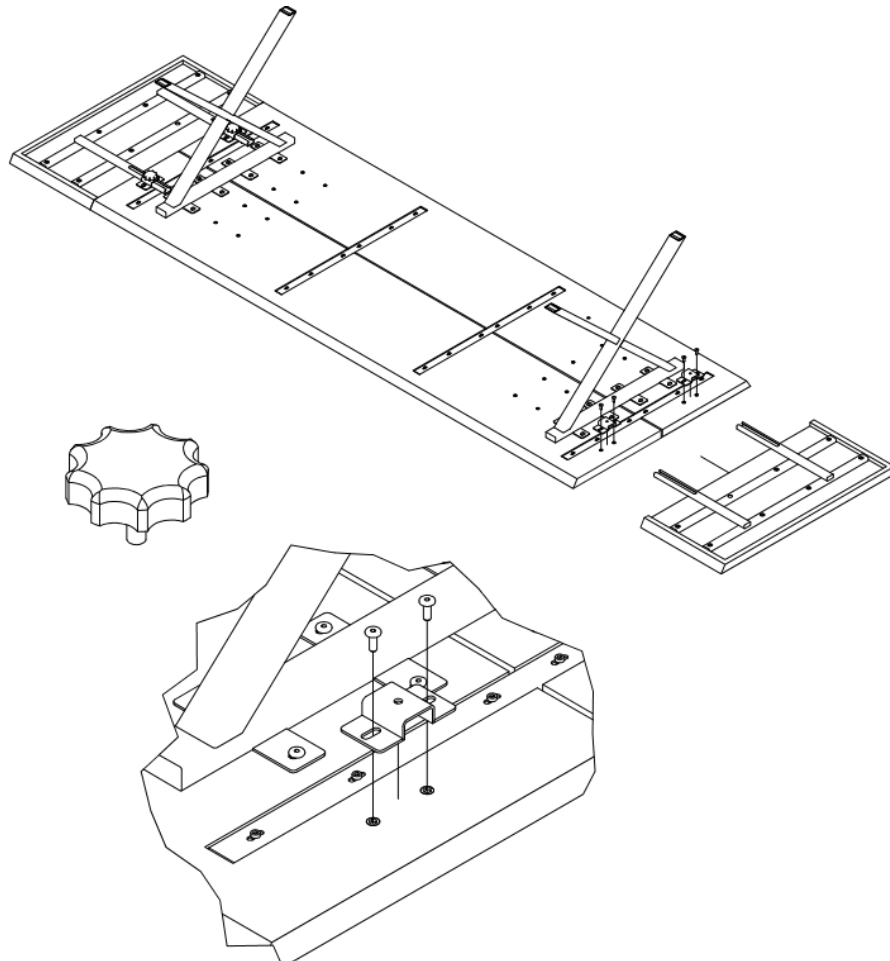


Materials:

- Extension:
 - Oak / MDF wood thickness - 40 mm
 - Extension it's made from small glue elements
 - same direction as top board
- Top board is brushed
- Oiled top boards is finished of wax (only wooden)
- Parts - 1
- Tolerance for all elements ± 2 mm



Connect extension with table:



MODEL:6211

Legs:

**HJORT
KNUDSEN**
DANISH DESIGN

BST01



steel profil W | H | D - 6 x 72 x 3 cm
weight (one legs) - 8kg netto

BST02



steel profil W | H | D - 10 x 72 x 2 cm
weight (one legs) - 7,5kg netto

BST04



steel profil W | H | D - 6 x 72 x 3 cm
weight (one legs) - 8,5kg netto